

SPLIT

VERTICAL EVAPORATOR

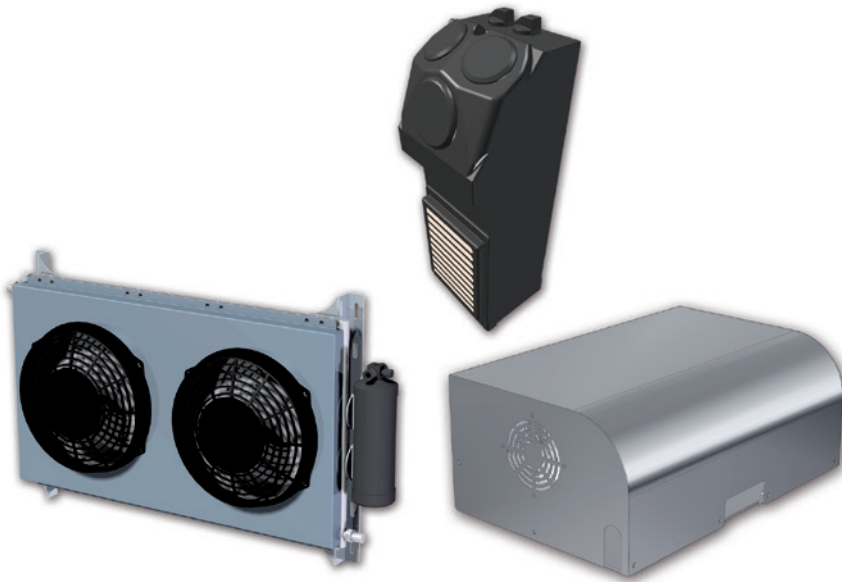
12V BSP00048AC12 / 24V BSP00048AC12



Bergstrom

STANDARD PRODUCTS

A/C



Performance

| | | | | |
|-----|---------------------|-----|---------------------|--|
| 12V | cold ❄️ 2.0kW | 24V | cold ❄️ 3.2kW | airflow 🌀 450 (m ³ /hr) |
|-----|---------------------|-----|---------------------|--|

Electrical Data

| | | | | |
|-------|--------|---|-------|--------|
| volts | amps | / | volts | amps |
| 12V | 32-65A | | 24V | 30-55A |

Applications



Performance Input Data

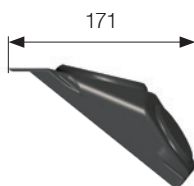
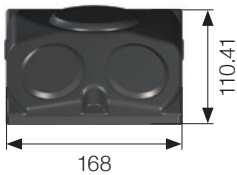
| | |
|------|----------|
| temp | humidity |
| 40°C | 32% |

Minimum alternator required: **24V** - 75 A/h - 28V / **12V** - 80A/h - 15V

Minimum battery required: **24V/12V** - 180 A

A/C Electrical Unit

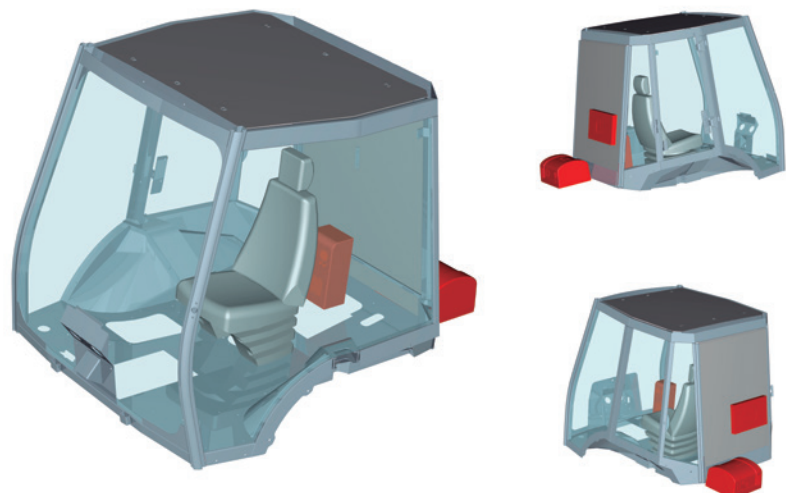
Front and Controls



Panel with two holes

Position

Multiple mounting of components





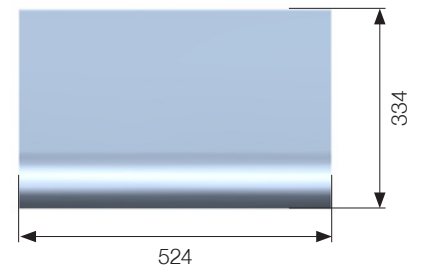
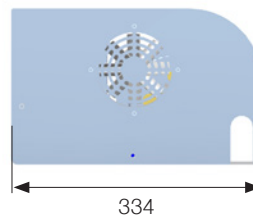
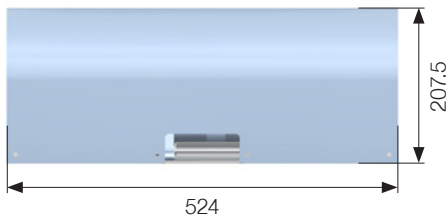
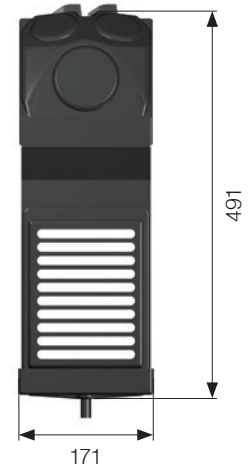
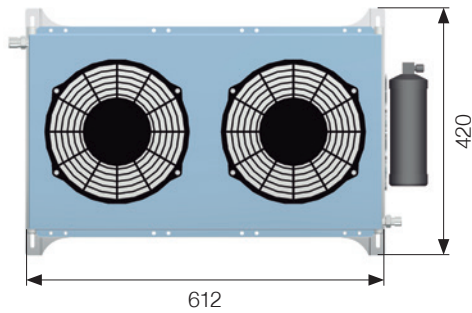
Bergstrom

STANDARD PRODUCTS

SPLIT

VERTICAL EVAPORATOR

12V BSP00048AC12 / 24V BSP00048AC24



Weight



Evaporator



Condenser



Compressor

To ensure you have a complete kit to enable you chosen system to operate please check the system schematic data sheet which details the full list of components required.

T // +44 (0)1443 865169

E // enquiries@bergstromstandardproducts.com

W // www.bergstromstandardproducts.com