

# SPLIT

## HORIZONTAL EVAPORATOR

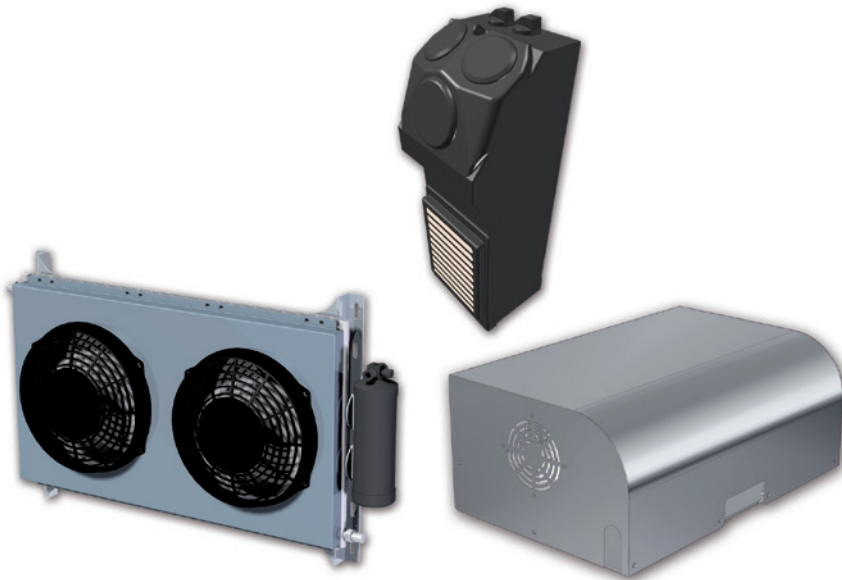
12V BSP00048AC12 / 24V BSP00048AC12



# Bergstrom

STANDARD PRODUCTS

A/C



### Performance

12V	cold ❄️ 2.0kW	24V	cold ❄️ 3.2kW	airflow 🌀 450 (m <sup>3</sup> /hr)
-----	---------------------	-----	---------------------	--

### Electrical Data

volts	amps	/	volts	amps
12V	32-65A		24V	30-55A

### Applications



### Performance Input Data

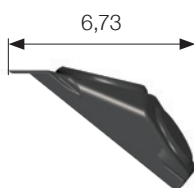
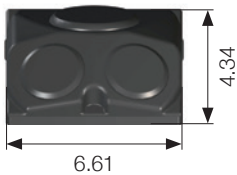
temp	humidity
40°C	32%

Minimum alternator required: **24V** - 75 A/h - 28V / **12V** - 80A/h - 15V

Minimum battery required: **24V/12V** - 180 A

## A/C Electrical Unit

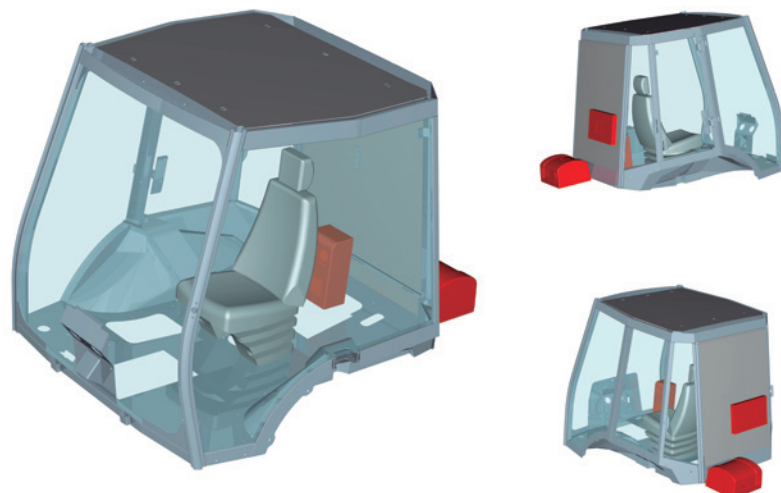
### Front and Controls



Panel with two holes

### Position

#### Multiple mounting of components





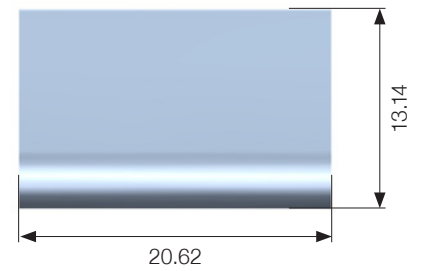
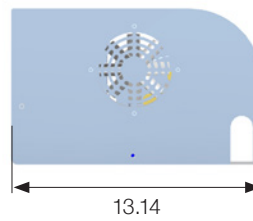
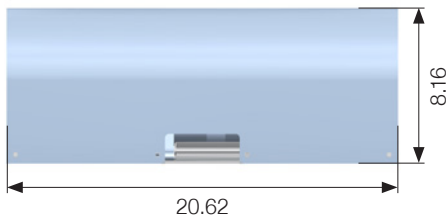
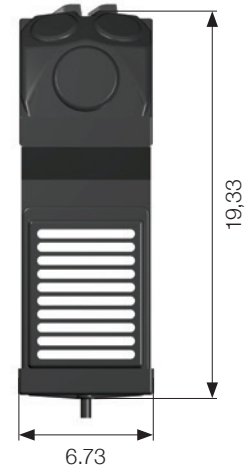
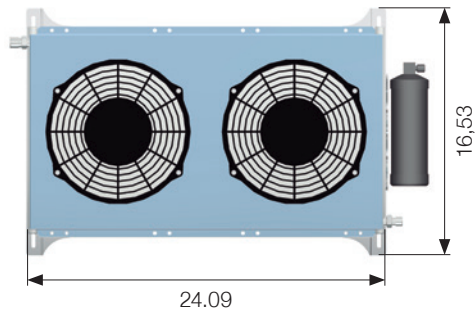
# Bergstrom

STANDARD PRODUCTS

## SPLIT

VERTICAL EVAPORATOR

12V BSP00048AC12 / 24V BSP00048AC24



### Weight



Evaporator



Condenser



Compressor

*To ensure you have a complete kit to enable you chosen system to operate please check the system schematic data sheet which details the full list of components required.*