

# SPLIT 3.0

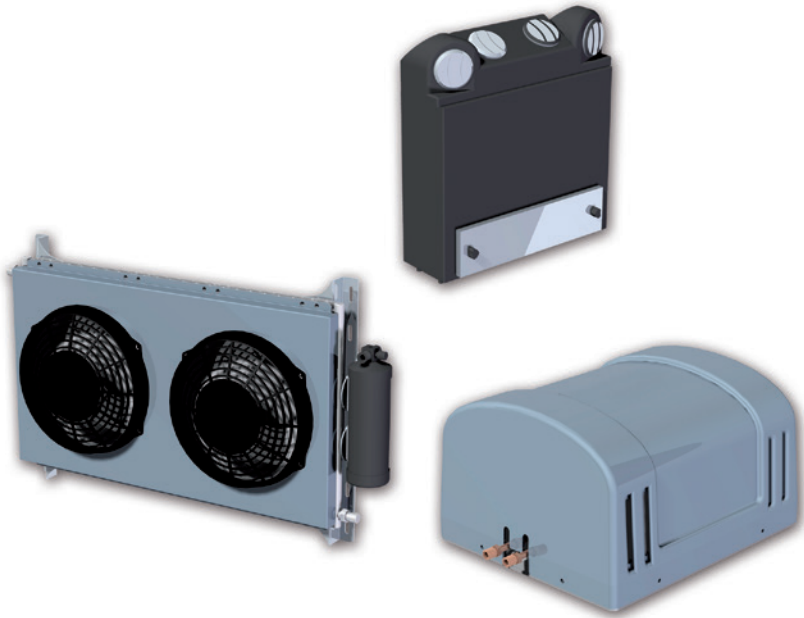
24V BSP00033AC24



# Bergstrom

STANDARD PRODUCTS

A/C



### Performance

cold  
3.2kW

airflow  
670 (m<sup>3</sup>/hr)

### Electrical Data

volts | amps  
24V | 30-55A

### Applications



### Performance Input Data

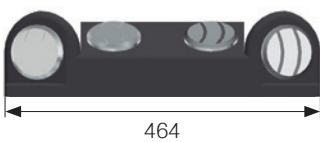
temp  
40°C

humidity  
32%

Minimum alternator required: **24V** - 75 A/h - 28V

## Standalone A/C Electrical Unit

### Front and Controls

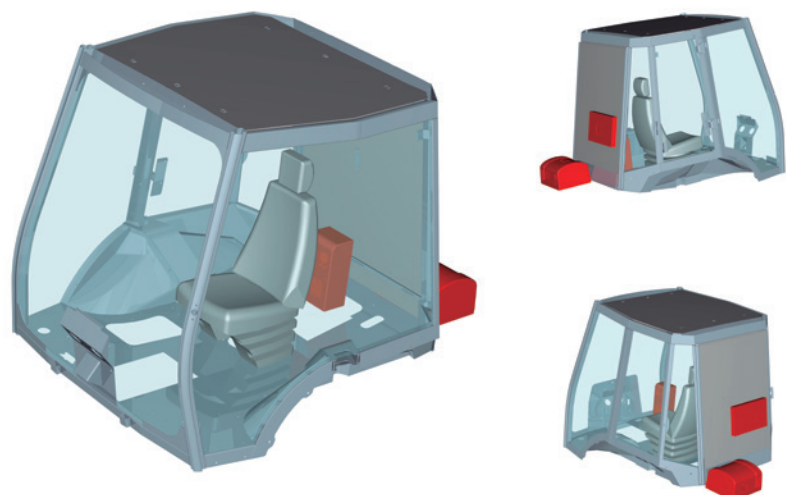


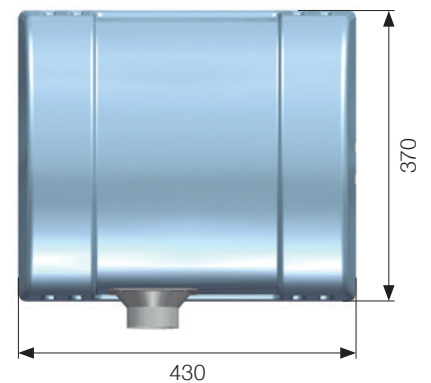
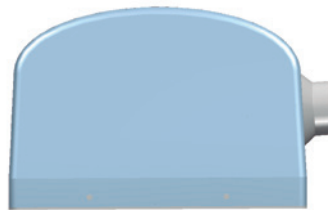
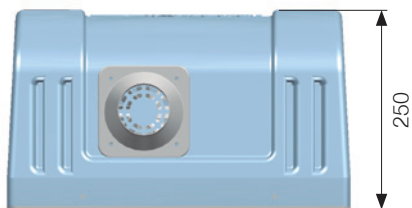
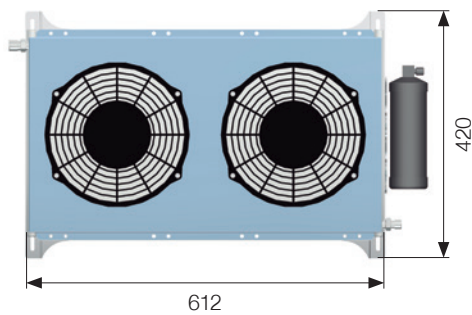
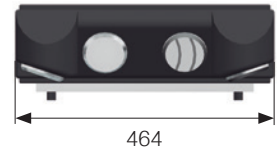
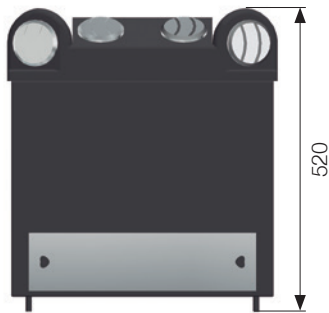
Switch Thermostat

Switch Fan

### Position

Multiple mounting of components





### Weight



Evaporator



Condenser



Compressor

*To ensure you have a complete kit to enable you chosen system to operate please check the system schematic data sheet which details the full list of components required.*