

SPLIT TWIN 2.0

12V BSP00031AC12



Bergstrom

STANDARD PRODUCTS

A/C



Performance

cold
2.0kW

airflow
670 (m³/hr)

Electrical Data

volts | amps
12V | 42-62A

Applications



Performance Input Data

temp
40°C

humidity
32%

Minimum alternator required: **12V** - 120 A/h

Standalone A/C Electrical Unit

Front and Controls



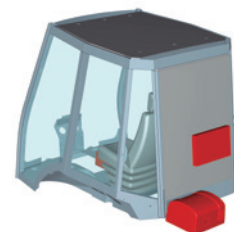
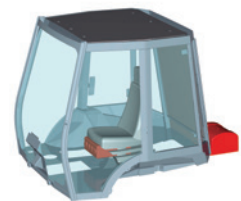
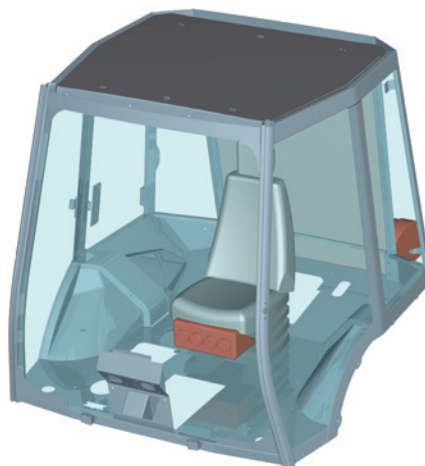
Display



Control remote

Position

Multiple mounting of components



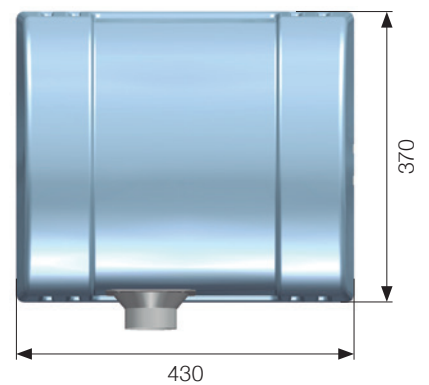
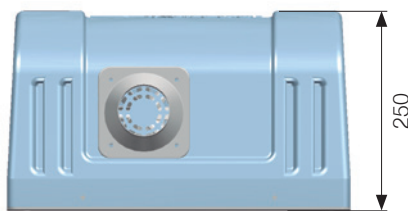
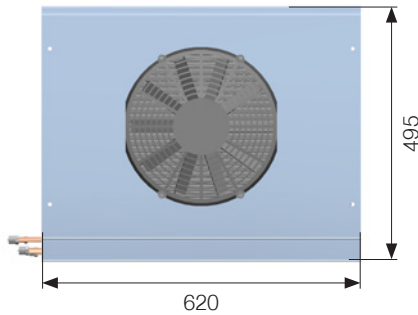
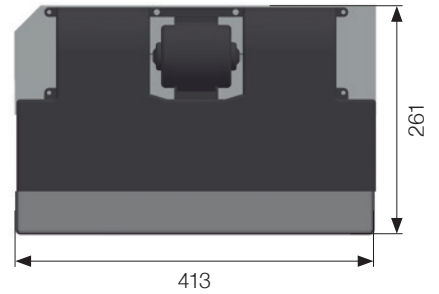


Bergstrom

STANDARD PRODUCTS

SPLIT TWIN 2.0

12V BSP00031AC12



Weight



Evaporator



Condenser



Compressor

To ensure you have a complete kit to enable you chosen system to operate please check the system schematic data sheet which details the full list of components required.

T // +44 (0)1443 865169
E // enquiries@bergstromstandardproducts.com
W // www.bergstromstandardproducts.com