

CLASSIC

12V BSP00027AC12 / 24V BSP00027AC24



Bergstrom

STANDARD PRODUCTS

A/C



Performance

cold ❄️ 6.8kW	+	airflow 🌀 690 (m³/hr)
-----------------------------------	---	---

Electrical Data

volts	amps	/	volts	amps
12V	15.1A		24V	8.2A

Applications



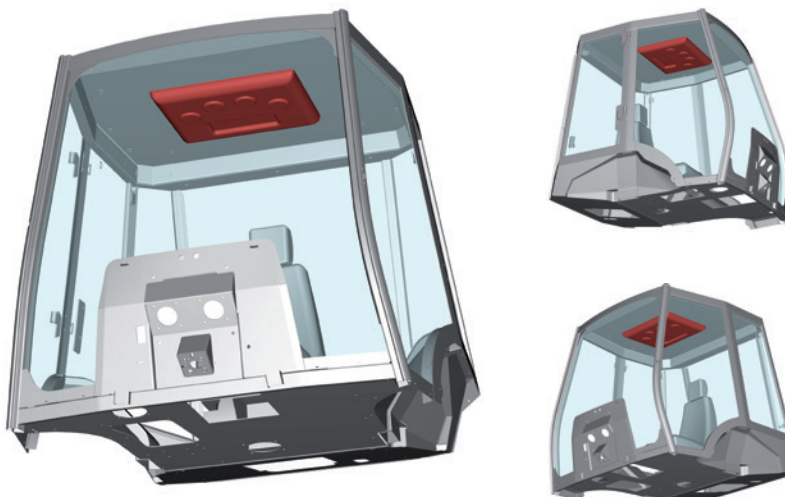
Performance Input Data

temp 32°C	humidity 50%
----------------------------	-------------------------------

Evaporator Unit

Position

Roof liner



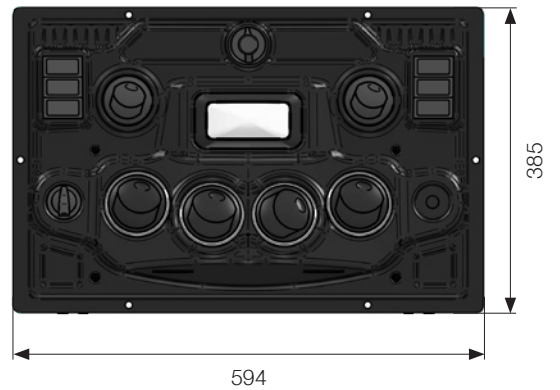
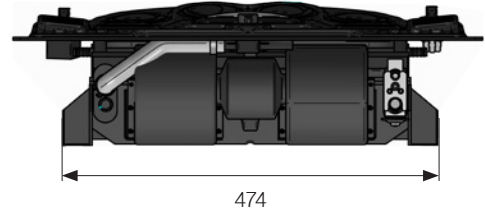
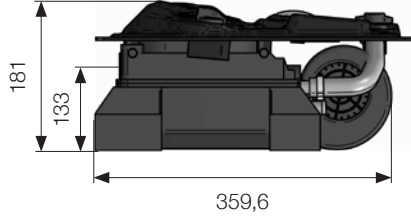


Bergstrom

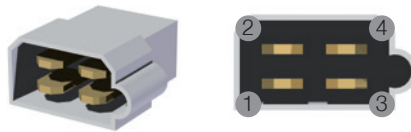
STANDARD PRODUCTS

CLASSIC

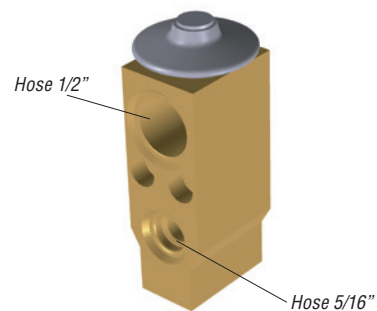
12V BSP00027AC12 / 24V BSP00027AC24



Weight



- 1 - Yellow wire (speed 1)
- 2 - Red wire (speed 2)
- 3 - Orange wire (speed 3)
- 4 - Black wire (power supply)



Expansion valve 1.5 TON
(7500 Kcal/h)

To ensure you have a complete kit to enable you chosen system to operate please check the system schematic data sheet which details the full list of components required.