

CLASSIC

12V BSP00027AC12 / 24V BSP00027AC24



Bergstrom

STANDARD PRODUCTS

A/C



Performance

cold ❄️ 23,200 BTU/hr	+	airflow 🌀 410 SCFM
------------------------------------	---	---------------------------------

Electrical Data

volts	amps	/	volts	amps
12V	15.1A		24V	8.2A

Applications



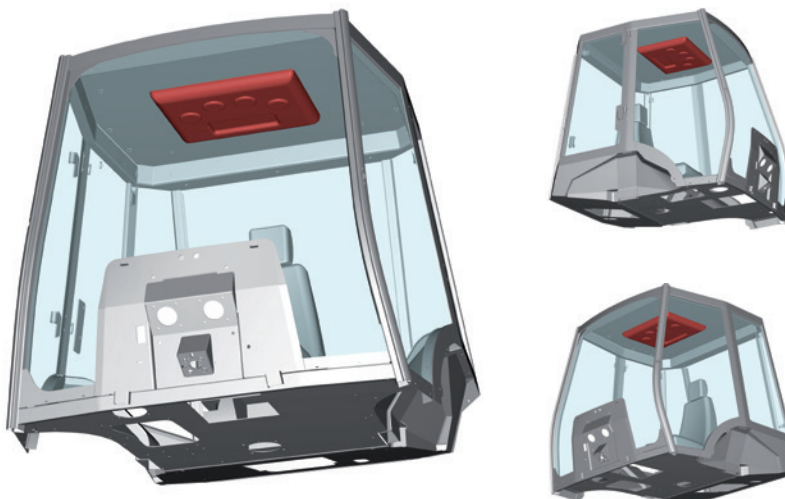
Performance Input Data

temperature 90°F	humidity 50%
----------------------------	------------------------

Evaporator Unit

Position

Roof liner



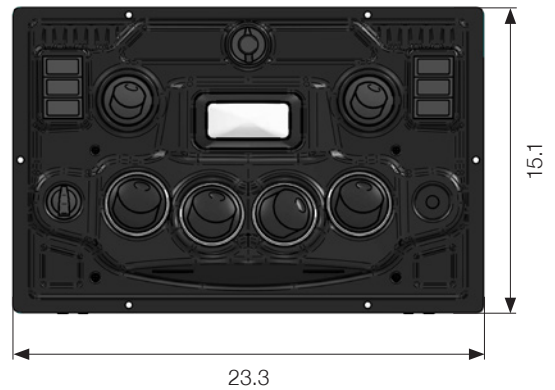
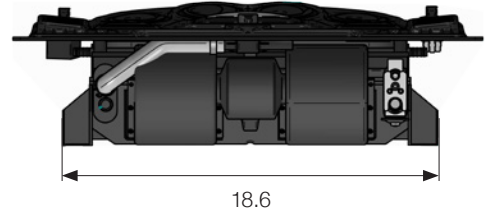
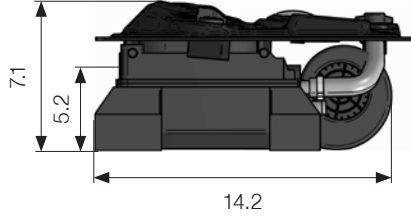


Bergstrom

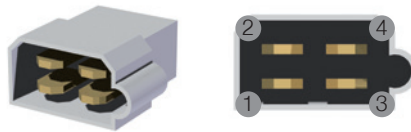
STANDARD PRODUCTS

CLASSIC

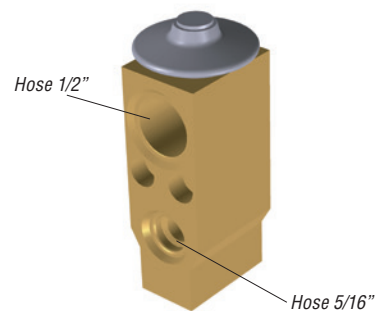
12V BSP00027AC12 / 24V BSP00027AC24



Weight



- 1 - Yellow wire (speed 1)
- 2 - Red wire (speed 2)
- 3 - Orange wire (speed 3)
- 4 - Black wire (power supply)



Expansion valve 1.5 TON
(7500 Kcal/h)

To ensure you have a complete kit to enable your chosen system to operate please check the system schematic data sheet which details the full list of components required.

T // 1.800.499.6849

E // enquiries@bergstromstandardproducts.com

W // www.bergstromstandardproducts.com