

DBAC-100

12V BSP00024AC12 / 24V BSP00024AC24



Bergstrom

STANDARD PRODUCTS

A/C



Performance

cold ❄️ 3.2kW	+	airflow 🌀 780 (m³/hr)
---------------------	---	-----------------------------

Electrical Data

volts	amps	/	volts	amps
12V	32-65A		24V	30-55A

Applications



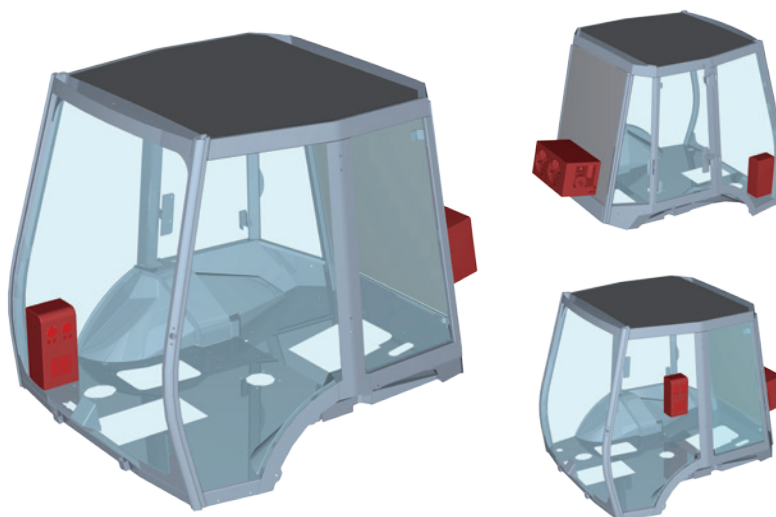
Performance Input Data

temp 40°C	humidity 32%
--------------	-----------------

Evaporator and condenser kit with motocompressor

Position

Evaporator: **Vertical installation with multiple locations**
Condenser with motocompressor: **Wall/chassis mount**

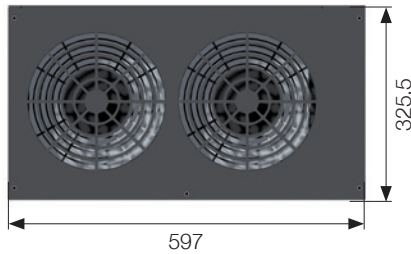
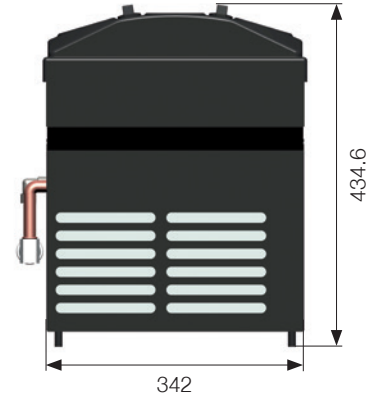




Bergstrom
STANDARD PRODUCTS

DBAC-100

12V BSP00024AC12 / 24V BSP00024AC24



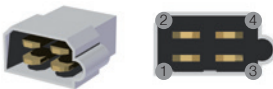
Weight



Evaporator



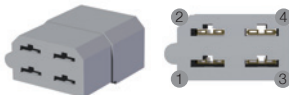
Condenser



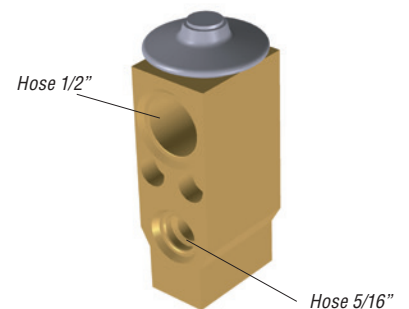
- 1 - Black wire (ground)
- 2 - Red wire (power supply)
- 3 - Green wire (thermostat)
- 4 - Green wire (thermostat)



- A- Green wire (enable signal to compressor)
- B- Red wire (positive)
- C- Black wire (ground)



- 1 - Green wire (relay 86)
- 2 - Green wire (binary)
- 3 - Brown wire (ground)
- 4 - Red wire (relay 87)



Expansion valve 1,5 TON
(7500 Kcal/h)

To ensure you have a complete kit to enable you chosen system to operate please check the system schematic data sheet which details the full list of components required.



Piping and wiring kit - DBAC-100



Kit - Piping and wiring 24V
Piping 4 m. - wiring 4 m.
Cod.: BSP00001PIPWRKIT24



Kit - Piping and wiring 24V
Piping 8 m. - wiring 4 m.
Cod.: BSP00002PIPWRKIT24



Kit - Piping and wiring 12V
Piping 4 m. - wiring 4 m.
Cod.: BSP00003PIPWRKIT12



Kit - Piping and wiring 12V
Piping 8 m. - wiring 4 m.
Cod.: BSP00004PIPWRKIT12

1 AWG Harness - DBAC-100



1 AWG Harness
Length: 6.36 mts.
Cod.: BSP00001HARNESS

To ensure you have a complete kit to enable you chosen system to operate please check the system schematic data sheet which details the full list of components required.