

# DBAC-100

12V BSP00024AC12 / 24V BSP00024AC24



# Bergstrom

STANDARD PRODUCTS

A/C



### Performance

<b>cold</b> ❄️ 10,920 BTU/hr	+	<b>airflow</b> 🌀 460 SCFM
------------------------------------	---	---------------------------------

### Electrical Data

volts	amps	/	volts	amps
12V	32-65A		24V	30-55A

### Applications



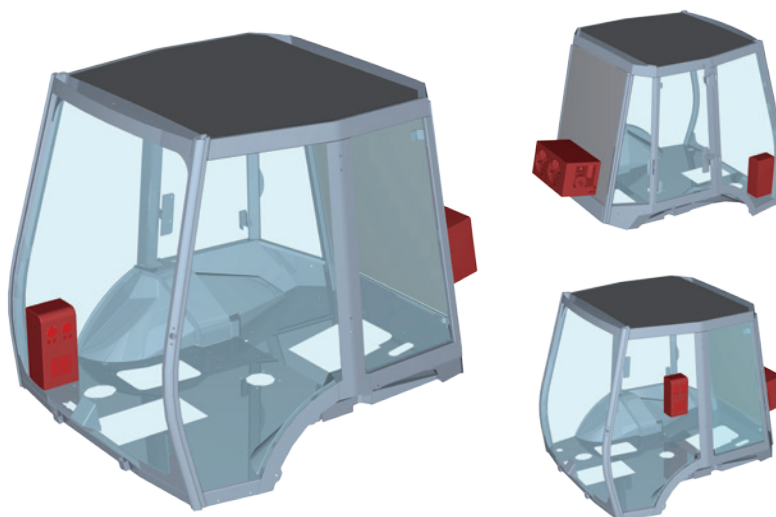
### Performance Input Data

<b>temperature</b> 104°F	<b>humidity</b> 32%
-----------------------------	------------------------

## Evaporator and condenser kit with motocompressor

### Position

Evaporator: **Vertical installation with multiple locations**  
Condenser with motocompressor: **Wall/chassis mount**



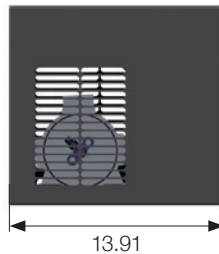
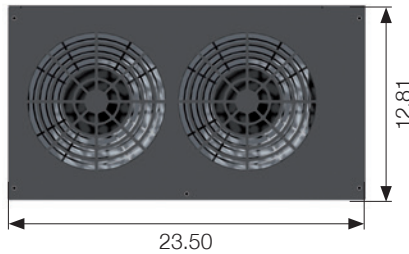
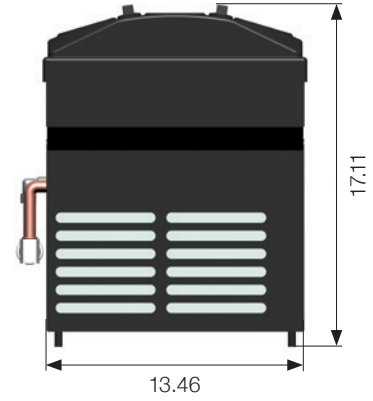


# Bergstrom

STANDARD PRODUCTS

## DBAC-100

12V BSP00024AC12 / 24V BSP00024AC24

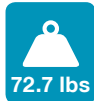


### Weight



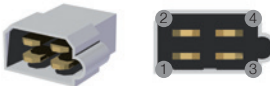
21.6 lbs

Evaporator

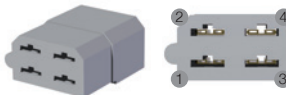


72.7 lbs

Condenser



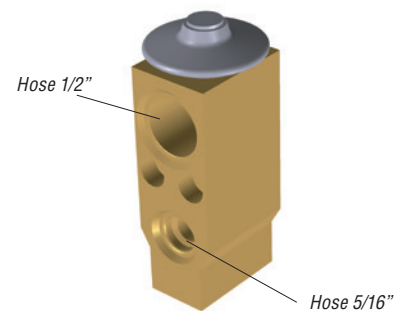
- 1 - Black wire (ground)
- 2 - Red wire (power supply)
- 3 - Green wire (thermostat)
- 4 - Green wire (thermostat)



- 1 - Green wire (relay 86)
- 2 - Green wire (binary)
- 3 - Brown wire (ground)
- 4 - Red wire (relay 87)



- A- Green wire (enable signal to compressor)
- B- Red wire (positive)
- C- Black wire (ground)



Expansion valve 1,5 TON  
(7500 Kcal/h)

To ensure you have a complete kit to enable you chosen system to operate please check the system schematic data sheet which details the full list of components required.

T // 1.800.499.6849

E // enquiries@bergstromstandardproducts.com

W // www.bergstromstandardproducts.com

## Piping and wiring kit - DBAC-100



Kit - Piping and wiring 24V  
Piping 4 m. - wiring 4 m.  
**Cod.: BSP00001PIPWRKIT**

---



Kit - Piping and wiring 24V  
Piping 8 m. - wiring 4 m.  
**Cod.: BSP00002PIPWRKIT**

---



Kit - Piping and wiring 12V  
Piping 4 m. - wiring 4 m.  
**Cod.: BSP00003PIPWRKIT**

---



Kit - Piping and wiring 12V  
Piping 8 m. - wiring 4 m.  
**Cod.: BSP00004PIPWRKIT**



**Bergstrom**  
STANDARD PRODUCTS

ACCESSORIES / DBAC-100

## 1 AWG Harness - DBAC-100



1 AWG Harness  
Length: 250.39 inches  
Cod.: **BSP00001HARNESS**

*To ensure you have a complete kit to enable you chosen system to operate please check the system schematic data sheet which details the full list of components required.*

T // 1.800.499.6849  
E // [enquiries@bergstromstandardproducts.com](mailto:enquiries@bergstromstandardproducts.com)  
W // [www.bergstromstandardproducts.com](http://www.bergstromstandardproducts.com)