

KA-750

12V BSP00016AC12 / 24V BSP00016AC24



Bergstrom

STANDARD PRODUCTS

A/C



Performance

cold ❄️ 10.4kW	+	airflow 🌀 544 (m ³ /hr)
-----------------------------	---	---

Electrical Data

volts 12V	amps 26A	/	volts 24V	amps -A
---------------------	--------------------	---	---------------------	-------------------

Applications



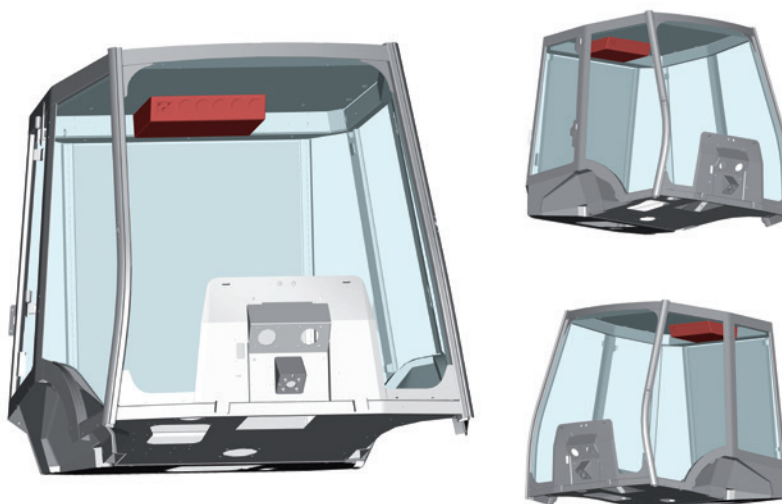
Performance Input Data

temp 32°C	humidity 70%
---------------------	------------------------

Horizontal Evaporator Unit

Position

Roof liner



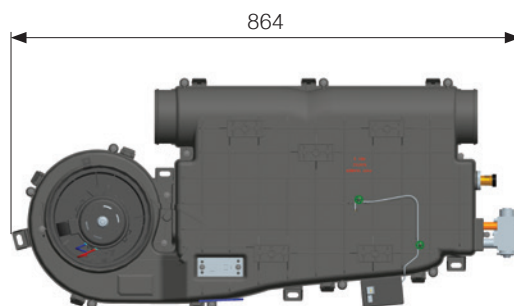
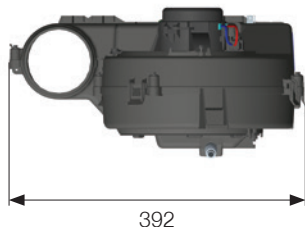


Bergstrom

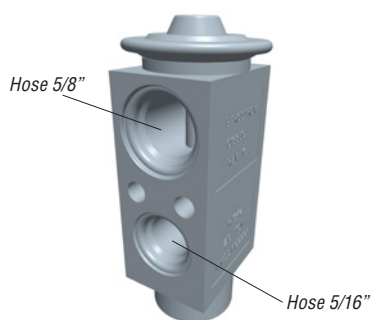
STANDARD PRODUCTS

KA-750

12V BSP00016AC12 / 24V BSP00016AC24



Weight



Expansion valve 2.0 TON

To ensure you have a complete kit to enable your chosen system to operate please check the system schematic data sheet which details the full list of components required.

T // +44 (0)1443 865169

E // enquiries@bergstromstandardproducts.com

W // www.bergstromstandardproducts.com