

KELVIN

12V BSP00014HVAC12 / 24V BSP00014HVAC24



Bergstrom

STANDARD PRODUCTS

HVAC



Performance

hot 🔥 32,410 BTU/hr	+	cold ❄️ 20,810 BTU/hr	+	airflow 🌀 410 SCFM
----------------------------------	---	------------------------------------	---	---------------------------------

Electrical Data

volts	amps	/	volts	amps
12V	20A		24V	10,5A

Applications



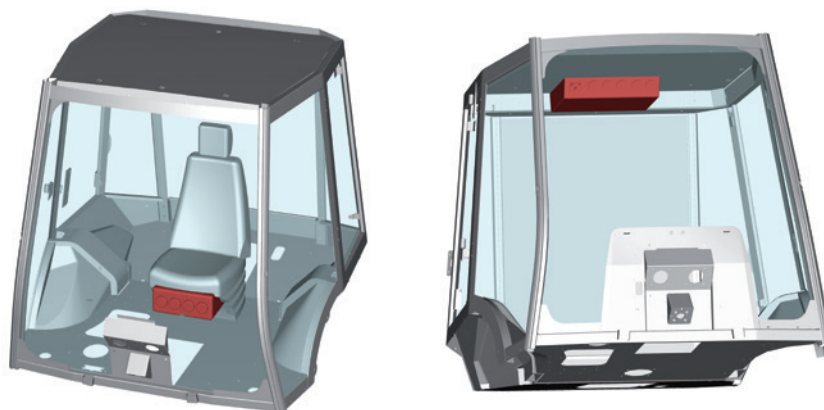
Performance Input Data

Cold	temperature	100 °F	humidity	40%
	temperature	50 °F	coolant	176 °F

HVAC system

Position

Multiple mount



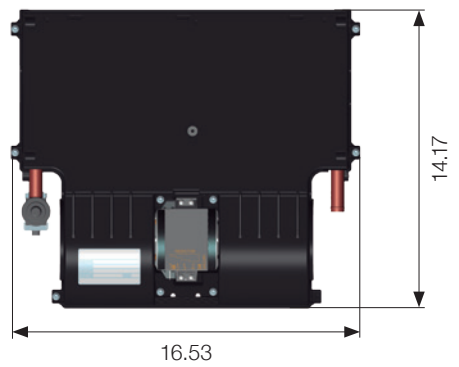
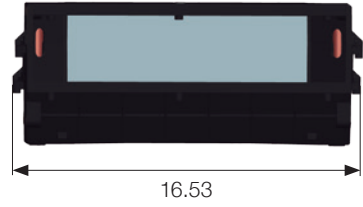
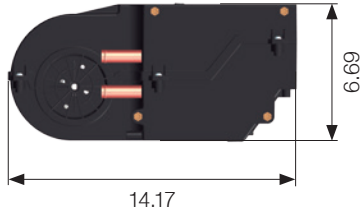


Bergstrom
STANDARD PRODUCTS

KELVIN

12V BSP00014HVAC12 / 24V BSP00014HVAC24

HVAC



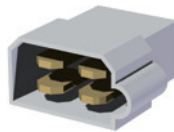
Weight



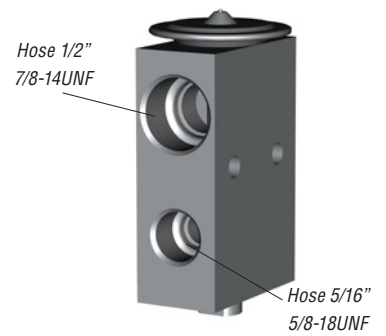
Water hoses



Water hoses d. 0.62"



- 1 - Yellow wire (speed 1)
- 2 - Red wire (speed 2)
- 3 - Orange wire (speed 3)
- 4 - Black wire (ground)



Expansion valve 2.0 TON

To ensure you have a complete kit to enable you chosen system to operate please check the system schematic data sheet which details the full list of components required.

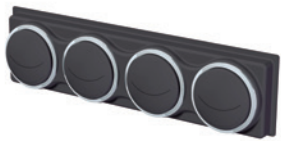
T // 1.800.499.6849

E // enquiries@bergstromstandardproducts.com

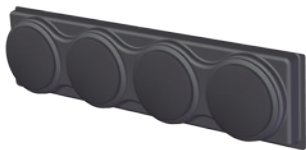
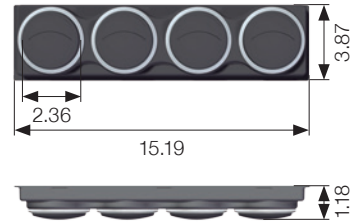
W // www.bergstromstandardproducts.com



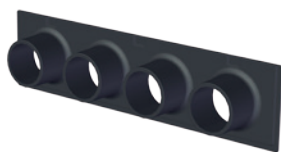
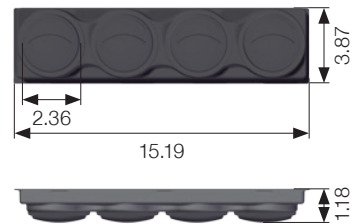
Outlet panels - Kelvin evaporators



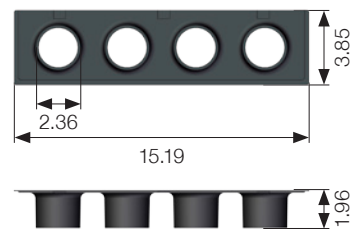
Kit - Outlet panel for Kelvin evaporator
Black vents / Frame - chrome
15.19x3.87x1.18 (4x Ø3.01)
Cod.: BSP00002PANELKIT



Kit - Outlet panel for Kelvin evaporator
Black vents / Frame - black
15.19x3.87x1.18 (4x Ø3.01)
Cod.: BSP00004PANELKIT



Kit - Outlet panel for Kelvin evaporator
Black
15.19x3.85x1.96 (4x Ø2.36)
Cod.: BSP00001PANELKIT

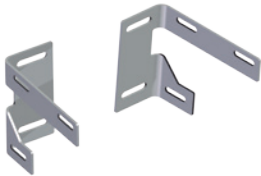




Bracket kits - Kelvin evaporators



Bracket Kit
Mount to the floor or roof
Cod.: BSP00003MOUNTKIT



Bracket Kit
Mount to the bulkhead or wall
Cod.: BSP00005MOUNTKIT

Drain hose kits - Kelvin evaporators



Kit - Drain hose
(1 side)
Cod.: BSP00001DRAINKIT



Kit - Drain hose
(2 side)
Cod.: BSP00002DRAINKIT

To ensure you have a complete kit to enable you chosen system to operate please check the system schematic data sheet which details the full list of components required.