

KK-750

12V BSP00010HVAC12 / 24V BSP00010HVAC24



Bergstrom

STANDARD PRODUCTS

HVAC



Performance

hot 10.4kW	+	cold 7.3kW	+	airflow 544 (m ³ /hr)
---------------	---	---------------	---	-------------------------------------

Electrical Data

volts 12V	amps 26A	/	volts 24V	amps 10A
--------------	-------------	---	--------------	-------------

Applications



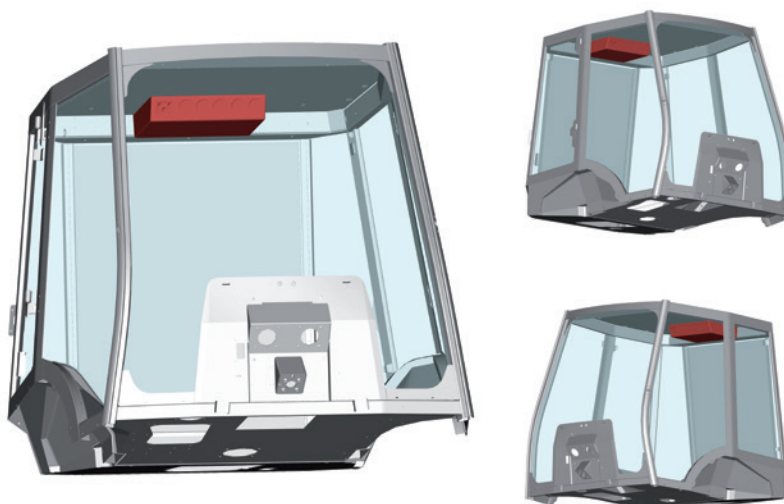
Performance Input Data

Cold	temp 32°C	humidity 70%
	temp 11°C	coolant 90°C

Evaporator Unit

Position

Roof liner



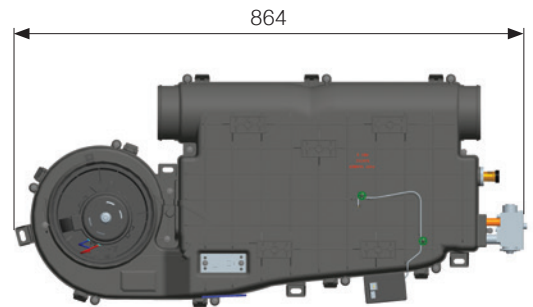
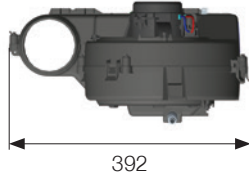


Bergstrom
STANDARD PRODUCTS

KK-750

12V BSP00010HVAC12 / 24V BSP00010HVAC24

HVAC



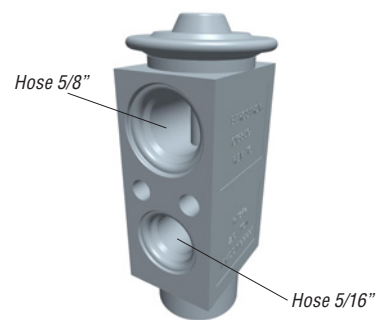
Weight



Water hoses



Water hoses d. 15.88 mm



Expansion valve 2.0 TON

To ensure you have a complete kit to enable your chosen system to operate please check the system schematic data sheet which details the full list of components required.

T // +44 (0)1443 865169
E // enquiries@bergstromstandardproducts.com
W // www.bergstromstandardproducts.com